

Item Number

05B-22-0308-D10-322-0

Mounting Style IEC 80 B14

Enclosure Totally Enclosed Fan Cooled

Rated Power HP .75

Rated Power Watts 560

Rated Speed RPM 1800

Rated Frequency (Hz) 90

Number of Poles 6

Full Load Amps: 3.0

Torque (in lb) 26.5

Power Factor 0.69

Efficiency (%) 94.2

Rotor Inertia (lb-in²) 5.08

Back EMF L-L (V/k RPM) 133.8

Resistance L-L Ω 17.61

Inductance (Lsd/Lsq) 20.1/65.4

Peak Amps 3.20

Peak Torque (in lb) 62.72

Length (in) 8.35

Weight (lbs) 16.5

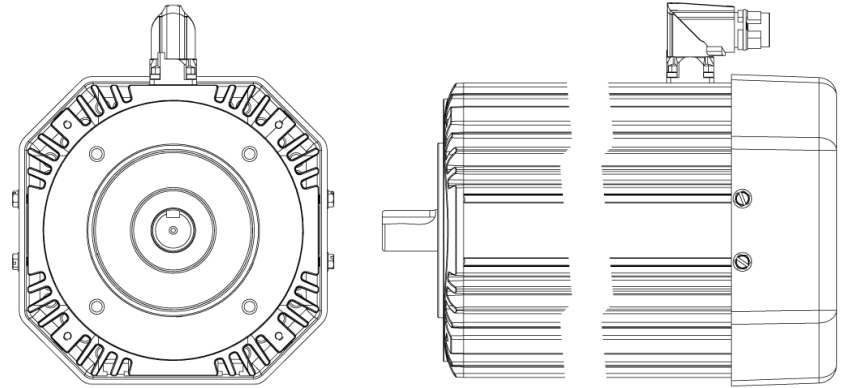
Motor Shaft Diameter (in) 0.75

Shaft Extension Length (in) 1.50

Looking for:

- Dimensional Drawings
- 3D CAD files
- User Manual

Go To www.BisonVFsync.com



Bison Variable Frequency Drives

This motor requires a variable frequency drive that is designed to run permanent magnet synchronous 230/460 volt, three phase AC motors. The following drives are compatible with this motor.



IP20 drive for in cabinet mounting

Part Number	Input Power	HP	Amps
DW40422	3~ 460 V	1	2.2



IP66 drive for exterior mounting

Part Number	Input Power	HP	Amps
DW40226	3~ 460 V	1	2.2

Power Cables

This motor comes standard with an M17 power swivel connector. The following quick connect cables are available to link the motor and drive.



Part Number	Length
191-05B-0001	1 Meter
191-05B-0002	3 Meters
191-05B-0003	6 Meters