

Item Number

**05B-22-0308-D10-331-0**

**Mounting Style** NEMA 56C

**Enclosure** Totally Enclosed Non Vented

**Rated Power HP** .75

**Rated Power Watts** 560

**Rated Speed RPM** 1800

**Rated Frequency (Hz)** 90

**Number of Poles** 6

**Full Load Amps:** 1.5

**Torque (in lb)** 26.5

**Power Factor** 0.69

**Efficiency (%)** 94.2

**Rotor Inertia (lb-in<sup>2</sup>)** 5.08

**Back EMF L-L (V/k RPM)** 133.8

**Resistance L-L  $\Omega$**  17.61

**Inductance (Lsd/Lsq)** 20.1/65.4

**Peak Amps** 3.20

**Peak Torque (in lb)** 62.72

**Length (in)** 5.84

**Weight (lbs)** 11.5

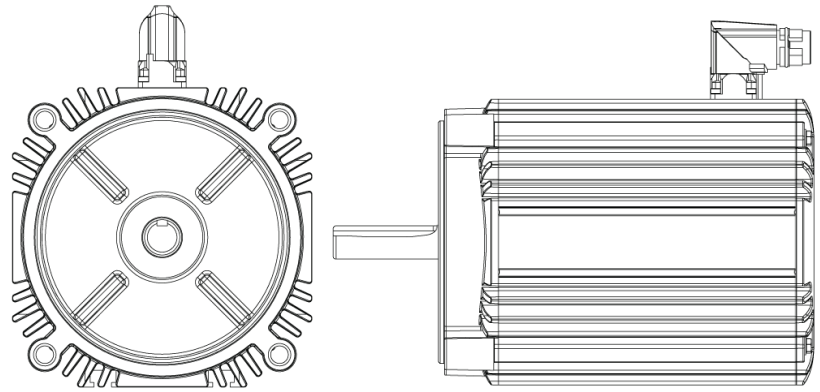
**Motor Shaft Diameter (in)** 0.63

**Shaft Extension Length (in)** 1.96

**Looking for:**

- Dimensional Drawings
- 3D CAD files
- User Manual

**Go To** [www.BisonVFsync.com](http://www.BisonVFsync.com)



## Bison Variable Frequency Drives

This motor requires a variable frequency drive that is designed to run permanent magnet synchronous 230/460 volt, three phase AC motors. The following drives are compatible with this motor.



### IP20 drive for in cabinet mounting

Part Number	Input Power	HP	Amps
DW40422	3~ 460 V	1	2.2



### IP66 drive for exterior mounting

Part Number	Input Power	HP	Amps
DW40226	3~ 460 V	1	2.2

## Power Cables

This motor comes standard with an M17 power swivel connector. The following quick connect cables are available to link the motor and drive.



Part Number	Length
191-05B-0001	1 Meter
191-05B-0002	3 Meters
191-05B-0003	6 Meters